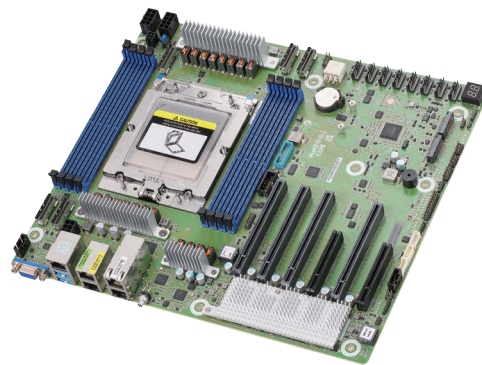


ISB-TR10

CEB Form Factor Server Motherboard with AMD EPYC™ 9005/9004 CPU

Features

- Standard CEB form factor 12" x 10.5" (305 x 267mm): Easy integration, space-efficient design
- Single Socket SP5 (LGA 6096), supports AMD EPYC™ 9005/9004 series processors
- 8x DIMM slots (1DPC), supports DDR5 RDIMM 6400 MT/s
- High flexibility of PCIe configurations:
4x PCIe5.0 x16, 2x PCIe5.0 x8,
1 MCIO (PCIe5.0 x8 or 8 SATA 6Gb/s), 4 MCIO (PCIe5.0 x8)
- Supports 2 M.2 (PCIe5.0 x4 or SATA 6Gb/s)



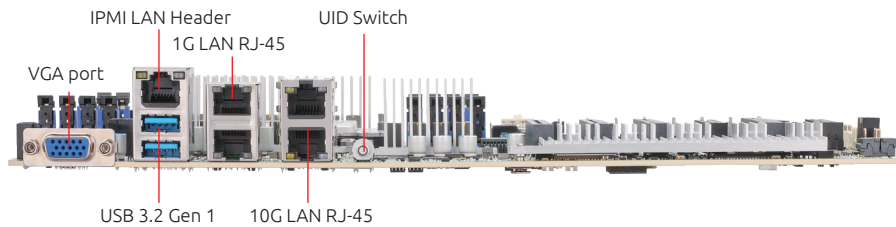
Specifications

Form Factor	CEB	12" x 10.5" (305 x 267mm)
Processor System	CPU	1x Socket E2 (LGA 6096) AMD EPYC™ 9005/9004 CPU
	OS Support	Windows® Server 2019/2022/2025 (64bit) Ubuntu 24.04.2 / 22.10 / 22.04.5 (64 bit)
System Memory	Supported Type	4 Channel DDR5, 8 slots DDR5 RDIMM Per channel DDR5 RDIMM 6400MTs, 2 DIMM per channel
	Max. Capacity per DIMM	128GB DDR5 6400 MT/s per channel
PCIe Expansion Slots (Slot 7 nearest to CPU)	PCIe	Slot #1: Gen5, x8
		Slot #2: Gen5, x16
		Slot #3: Gen5, x8
		Slot #4: Gen5, x16
		Slot #5: Gen5, x16
		Slot #6: Gen5, x16
Storage	MCIO	5x MCIOx8 connectors
	M.2	2x M.2 2280 NVMe/SATA
	SATA	8x SATAIII slots shared with 1 MCIO
I/O	LAN	2x 1GbE (I210), 2x 10GbE (X710), 1x 1GbE dedicated for BMC
	USB	2 USB Type-A 3.2 Gen1 ports
	Serial Port	1x COM via internal header
	Local display	1x D-Sub 15-pin VGA port

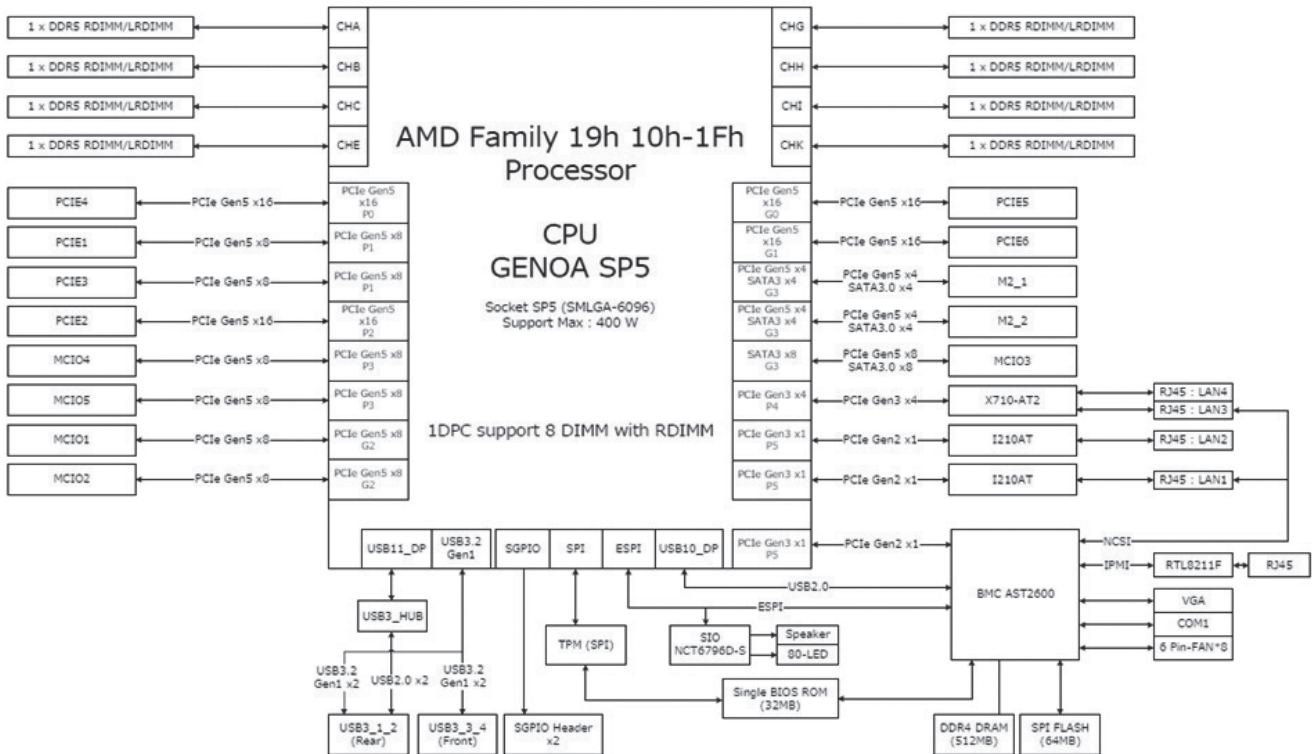
Specifications

Server Management	BMC Controller	Aspeed AST2600, with IPMI v2.0 & Redfish support
Mechanical and Environmental	Operating Temperature	10°C to 35°C (50°F to 95°F)
	Storage Temperature	-40°C to +70°C (-40°F to +158°F)
	Relative Humidity	20% to 90% (Non condensing)

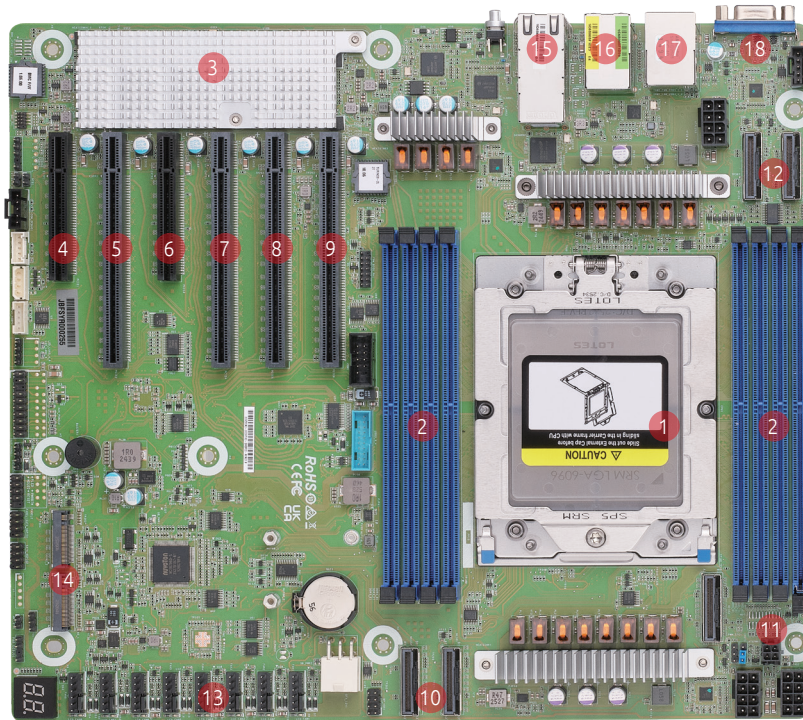
Front View



Block Diagram



Layout



No.	Description
1	1x AMD 9004/9005 SP5 CPU socket
2	8x DDR5 DIMM slots
3	BMC AST2600 & Intel X710
4	PCI Express Gen5.0 x8 Slot (PCIe1)
5	PCI Express Gen5.0 x16 Slot (PCIe2)
6	PCI Express Gen5.0 x8 Slot (PCIe3)
7	PCI Express Gen5.0 x16 Slot (PCIe4)
8	PCI Express Gen5.0 x16 Slot (PCIe5)
9	PCI Express Gen5.0 x16 Slot (PCIe6)

No.	Description
10	2x M.2 x8 Connector
11	1x M.2 x8 Connector
12	2x M.2 x8 Connector
13	8x System Fan Connector
14	2x NVMe Gen5 M.2 2280/22110 slots
15	2x 10G LAN RJ-45 Port
16	2x 1G LAN RJ-45 Port
17	IPMI LAN Header & 2* USB 3.2 Gen1 Ports
18	VGA Port