

MLC-M series

Versatile All-in-One Medical Panel Computer Family with 11th Generation Intel® Core™ Processor Performance



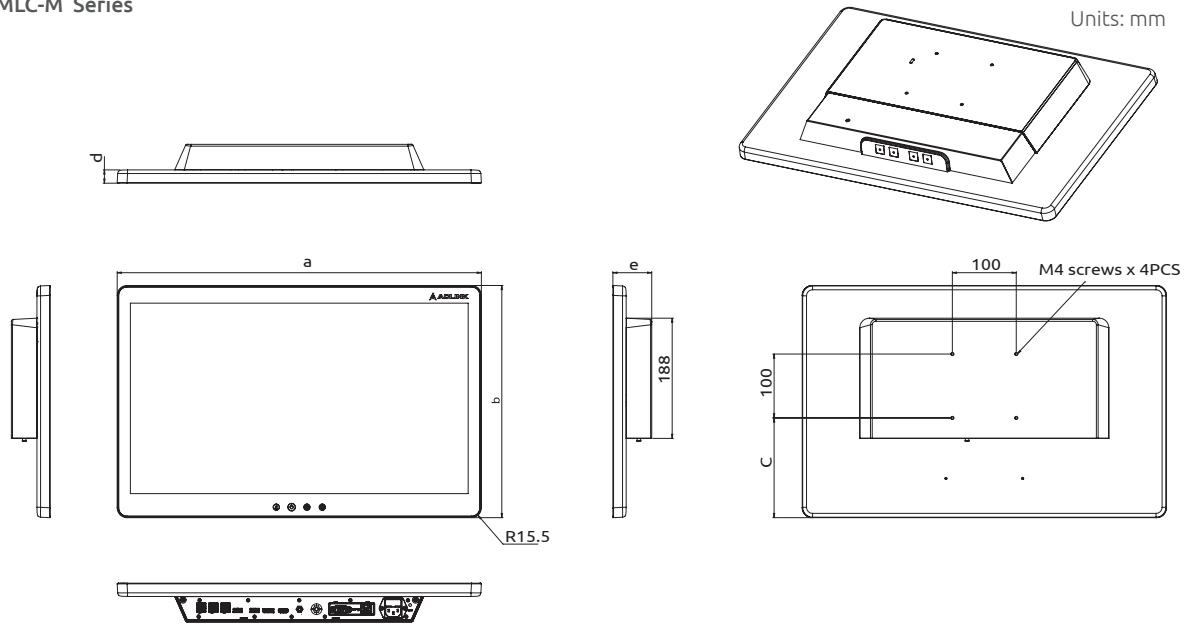
Features

- Powerful 11th Gen Intel® Core™ i3 / i5 / i7 processors
- 21.5" or 23.8" Full HD display with PCAP multi-touch touchscreen and anti-glare coated safety glass for unsurpassed visualization capabilities
- 4 illuminated soft-touch function keys on the front glass
- Screwless design allows for easy and faster cleaning and disinfection procedures
- Fully sealed aluminum housing and fan less design for high hygienic standards with IP54 rated ingress protection and 360 degrees anti-bacterial treatment
- USB2.0 x2, USB 3.1 x2, HDMI x1, AC-in, both isolated (4kV) for RJ45 & RS232 for mixed environments (2 MOPP) optional further IO
- 2 internal expansion slots for storage, networking and processing cards

MLC-M series	
System	
CPU	11th Gen. Intel® Core™ i3, i5 or i7 ULV Processor
RAM	Up to 64 GB DDR4 3200
Storage	M.2 SSD and SATA SSD/HDD options*
Interfaces	
I/O	1 x Ethernet 10/100/1000 Mbit/s, 4 kV isolated 2 x USB 3.1, 4 more (optional) 2 x USB 2.0 1 x RS232 4kV Isolated 1 x HDMI 1 x DisplayPort (optional) 1 x M.2 2230 size slot to support PCIe x1 and USB 2.0 1 x full size mPCIe slot to support PCIe x1 and USB 2.0 1 x Headphone jack 4 illuminated keys on the front glass with the following functions: - Standby Power ON/OFF - Touch cleaning enable/disable - Panel brightness increase - Panel brightness decrease
Electrical	
Power	100-240V ~ 50/60 Hz (internal medical- grade PSU) or 12V DC (external medical-grade PSU)
Display	
TFT Panel	21.5" / 23.8" Full HD 1920 x 1080 res., 16.7M colors
Luminance	21.5" with 250 cd/m ² ; 23.8" with 400 cd/m ²
Viewing Angle V/H	178°/178°
Mechanical	
Dimensions (WxHxD)	Refer to the back of this page
Weight (approx.)	21.5": 6.9 kg; 23.8": 7.9 kg
Housing	Aluminum, powder-coated, anti-bacterial
Mounting	VESA 100
Environmental	
Operating	0°C to +40°C / 5% to 95% rel. humidity (non-condensing)
Storage	-10°C to +60°C, 5% to 95% rel. humidity (non-condensing)
Ingress Rating Standard	IP54 protection with rear cable cover attached IEC 62368-1:2014; EN 62368-1:2014+A11:2017 Compliant with IEC 60601-1 Ed. 3.1 & IEC 60601-1-2:2014+AMD1:2020, EN 60601-1-2: 2015+A1: 2021

Dimensions

MLC-M Series



Dimensions (mm)					
Sizes (inch)	a	b	c	d	e
21.5	520	335	142	21	61
23.8	570	364	156	21	61

Ordering Information

MLC-M100	21.5" Full HD Display with 10-point multitouch, Intel® Core™ i5-1145G7E, 8GB RAM, 128GB SSD
MLC-M300	23.8" Full HD Display with 10-point multitouch, Intel® Core™ i5-1145G7E, 8GB RAM, 128GB SSD

Options

11th Gen Processors	Intel® Core™ i3-1115G4E, i5-1145G7E, i7-1185G7E
DDR4-16	16GB RAM (total capacity)
DDR4-32	32GB RAM (total capacity)
DDR4-64	64GB RAM (total capacity)
Additional 2 x USB 3.1	2 x USB 3.1 x2
Additional	1 x DisplayPort
TPM	TPM2.0
Wi-Fi/BT Module	WLAN module, including Bluetooth functionality
Rear Cable Cover	IP54 protection
DC Kit	12V DC Input instead of integrated AC power supply
Operating System	Windows 10 IoT Enterprise LTSC 2019, Windows 11 (with TPM2.0)

*For HDD and SSD storage options, please contact your ADLINK sales representative.