

OM Series

10.1"/15.6"/21.5"/23.8" /27"
Open-Frame Industrial Touch
Monitor

Preliminary



Features

- 10.1/15.6/21.5"/23.8"/27" 16:9 LCD panel with LED backlight with up to 50,000 service life
- 10-point PCAP touchscreen
- Anti-fingerprint surface treatment for ease of cleaning and enhanced readability
- Wide viewing angles support for both portrait and landscape modes
- IP rating for water and dust protection
- Ease of installation with panel and optional VESA mount

Ordering Information

- OM-101
10.1" Open-frame industrial touch monitor
- OM-156
15.6" Open-frame industrial touch monitor
- OM-215
21.5" Open-frame industrial touch monitor
- OM-238
23.8" Open-frame industrial touch monitor
- OM-270
27.0" Open-frame industrial touch monitor

Optional Accessories

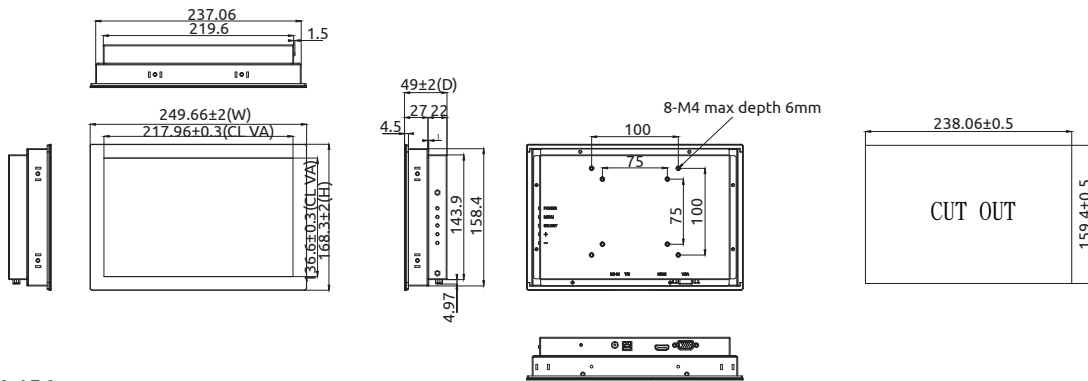
- Adapter
12V 60W power adapter
- Mounting kit (panel mount)

Specifications

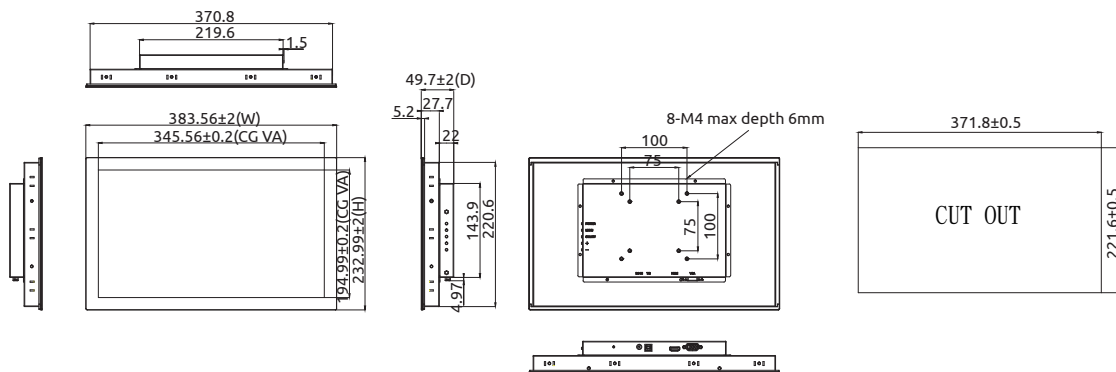
Model Name	OM-101	OM-156	OM-215	OM-238	OM-270
Display					
Size	10.1"	15.6"	21.5"	23.8"	27"
Resolution	1280 x 800	1920 x 1080			
Aspect Ratio	16:9				
Color	16.7M				
Brightness (w/ touch)	400 nits			200 nits	240 nits
Backlight Life (Hrs)	50,000		30,000		40,000
Viewing Angle (U/D/R/L)	89/89/89/89			85/85/85/85	
Contrast Ratio	800:1	1000:1		3000:1	
Touchscreen	10-point, PCAP, Anti-fingerprint coating				
Bonding	Air bonding				
I/O					
USB Port	USB type B (for touch)				
Video	HDMI x1, VGA x1				
Audio	w/o Audio				
Environmental					
Operating Temperature	-20°C to 70°C		0°C to 60°C	0°C to 50°C	
Storage Temperature	-20°C to 70°C		-20°C to 60°C		
Humidity	10% to 80% @ 40°C (non-condensing)				
Surface Hardness	7H				
Vibration	Operating: 1G random 5 to 500Hz				
Shock	Operating: 20G acceleration part to part, 11ms				
IP Rating	Front IP65				
Power Input	DC-12V 5A Max.				
Power Consumption	5.7 W	13.9 W	25.4 W	17.5W	21.5W
Mechanical					
Net Weight/ Gross Weight	1.6 kgs / 2.1 kgs	2.9 kgs / 3.6 kgs	4.8 kgs / 6.0 kgs	6.2kg /7.2kg	7.5kg / 8.0kg
Packing Dimensions (H x W x D)	330 x 320 x 180	490 x 380 x190	640 x 480 x160	695 x 488 x 175	775 x 538 x 180
Mounting	VESA Mount, MIS-D 75mm x 75mm,100mm x 100mm, Panel mount				

Dimensions

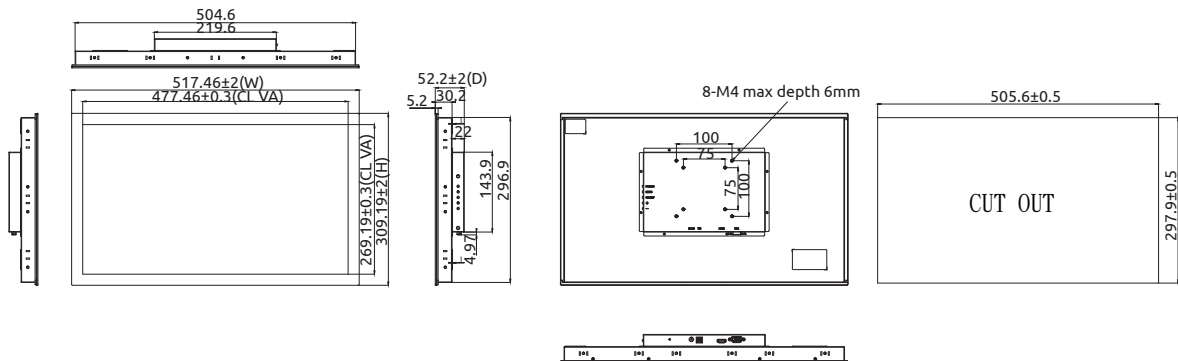
OM-101



OM-156

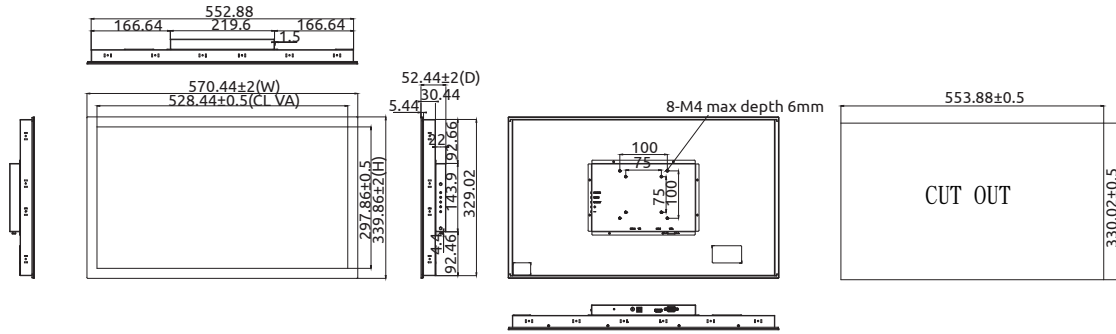


OM-215



Dimensions

OM-238



OM-270

